



DWM-314-GP

5G Multi-Connect PoE Modem

Key Features



5G
SA & NSA



2 Ports PoE
Connectivity PSE



Dual-SIM
Failover



VPN
Security



Industrial
Grade Design



Management
Platform

D-Link's DWM-314-GP 5G Multi-Connect PoE Modem provides 5G-NR and 4G-LTE dual-mode connectivity. It also features four Gigabit Ethernet ports, including two ports equipped with PoE functionality, for connectivity extension to meet M2M application requirements.

Powering Smart City Innovations with 5G

The DWM-314-GP 5G Multi-Connect PoE modem harnesses the power of 5G to deliver ultra-fast speeds and low latency, ensuring dependable connectivity. Featuring dual SIM slots with failover capabilities, it provides uninterrupted service even if one network is down. Ideal for constructing smart city infrastructures such as smart poles for traffic monitoring, digital signage advertising, and environmental sensing, this plug-and-play modem simplifies installation for quick deployment. With its ability to switch seamlessly between 4G and 5G, the DWM-314-GP maintains stable connectivity in varying network conditions, enhancing local engagement by delivering timely information, advertisements, and services efficiently.

Empower Your M2M Network with PoE+

The DWM PoE Modem Series, featuring a built-in 4-port Gigabit switch and 802.3af/at Power over Ethernet (PoE+) technology, delivers both data and power through Ethernet cables. As a true PSE (Power Sourcing Equipment) solution, it streamlines M2M communication for IoT applications, reducing the need for separate electrical infrastructure and lowering installation costs of extra PoE switch. Ideal for powering surveillance cameras, digital signage, wireless access points, and IoT sensors, it offers flexible device placement without extra wiring. Its PD-Alive feature minimizes downtime, ensuring continuous operation, while PoE scheduling optimizes power use and cuts energy costs.

Applications

- Traffic Light
- Small Shop
- Surveillance
- Bus Stop

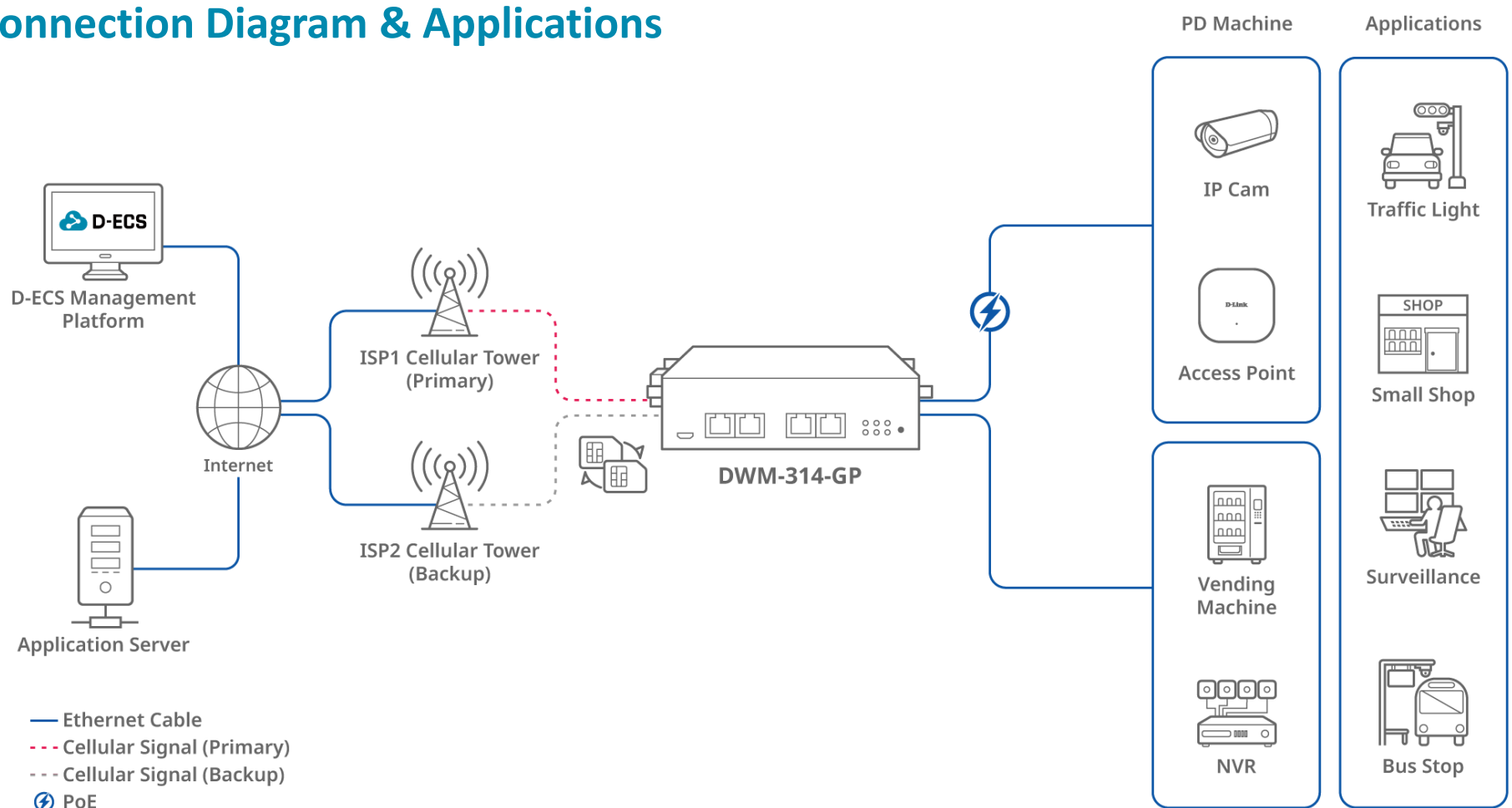
Robust Build Quality

The industrial-grade casing provides reliable high-speed connectivity in extreme conditions. The corrosion-resistant zinc-plated steel case with wide operating temperature range and humidity tolerance mean that the DWM-314-GP is ready for the most demanding M2M applications in virtually any environment.

Convenient wall and DIN-rail mounting options allow the DWM-314-GP to be mounted virtually anywhere to optimize signal quality.

The DWM-314-GP is also engineered to safely accept wide input voltage(VDC 48~57V) fluctuations, providing more flexibility and convenience when selecting a suitable power source, making your M2M installations significantly more reliable and much easier to deploy.

Connection Diagram & Applications



Specifications

Device Interface

- Cellular Module: 5G NR/4G LTE 3GPP Rel. 16
- Cellular Standards: 5G NR(Sub-6GHz), 4G LTE(DL Cat.19/UL Cat.18)
- SIM Slot: 2* SIM (3FF Micro)
- Ethernet: 2*LAN GE, 2*LAN GE with PoE-PSE 802.3at
- Power Input: DC 48-57V (TB)(2-pin)
- Antenna Connector: 4*SMA(F)-Cellular

Performance¹

- Maximum Cellular Data Throughput:
5G NSA : 3.4 Gbps (DL) / 550 Mbps (UL)
5G SA: 2.4 Gbps (DL) / 900 Mbps (UL)
LTE: 1.6 Gbps (DL) / 200 Mbps (UL)

WAN

- Cellular: NAT
- Network Monitor: ICMP Checking

Network

- DHCP : DHCP Server
- Port Forward: Virtual Server
- DDNS: DynDNS, No-IP, Dynamic DO
- Routing: Static route, Routing information
- PoE: Power Control, ON/OFF by Network checking, Scheduled ON/OFF
- IPv4/v6

VPN

- VPN Tunnel: OpenVPN, WireGuard
- VPN Usage : Client mode

Security

- Firewall: IPS, Block WAN Ping
- Access Control: Packet Filter, MAC Control

Administration

- Configuration: Web UI, Command Script, SSH
- Management: D-Link D-ECS²
- System: FW Upgrade, Reboot & Reset, System Time, NTP Service, System Log
- Scheduling: reboot rule policy, working day
- SMS Service: SMS Inbox, SMS Event Management
- Cellular Data Capacity: Warning ratio to send SMS

Status

- Network Status: Connection information, Cellular Signal Quality
- Cellular Mobile: Cellular Modem Information/Status, Cellular Network Status, Cellular Signal Quality, Data Usage
- Client: Client List
- Security: VPN Status

Environment

- OP/Store Temp.:
Operating Temperature -30 to 70 °C (-22 °F to 158 °F)
Storage Temperature -40 to 85 °C (-40 °F to 185 °F)
- Humidity:
Operating Humidity 10% to 95% non-condensing
Storage Humidity 0 to 95% non-condensing
- Dimensions: 131 x 99 x 40 mm

Standard Package

- 4* Cellular SMA Antennas
- 1* RJ-45 Cable
- 1* Power Adapter
- 1* Terminal Block (2-pin)
- 1* DIN-Rail kit

Available Versions

SKU List³

EU SKU (HW: A1):

- **5G NR:**
n1/n3/n5/n7/n8/n20/n28/n38/n40/n41/n71/n75/n76/n77/n78
- **4G LTE:**
FDD: B1/B3/B5/B7/B8/B20/B28/B32/B71
TDD: B38/B40/B41/B42/B43

Global/US SKU (HW: A2):

- **5G NR:**
n1/n2/n3/n5/n7/n8/n12/n13/n14/n18/n20/n25/n26/n28/n29/
n30/n38/n40/n41/n48/n66/n70/n71/n75/n76/n77/n78/n79
- **4G LTE:**
FDD: B1/B2/B3/B4/B5/B7/B8/B12/B13/B14/B17/B18/B19/B20/
B25/B26/B28/B29/B30/B32/B66/B71
TDD: B34/B38/B39/B40/B41/B42/B43/B46(LAA)/B48

Certifications & Approvals

Certification

- CE
- UKCA
- FCC
- PTCRB

Approval⁴

- AT&T
- Verizon

¹ Data rates are theoretical. Data transfer rate depends on network capacity and signal strength.

² D-ECS License fees will apply.

³ Supported frequency band is dependent upon hardware SKU.

⁴ By Region Request.

