

## Product Highlights

### Secure VPN Capability

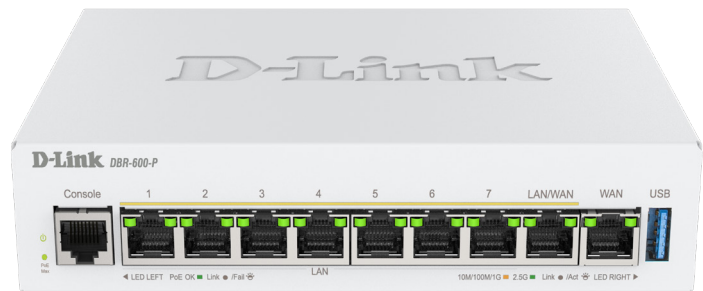
A VPN provides secure, encrypted connections for safe remote access, which is ideal for small offices and cafes.

### High-speed 2.5G WAN Port

2.5G WAN ports deliver high-speed connections for fast data transfer and reliable access for demanding applications.

### Multi-WAN Connectivity

Multi-WAN intelligent failover ensures uninterrupted connectivity by switching to a backup WAN when the primary fails, enhancing reliability and service consistency.



## DBR-600-P

### Business PoE Router

#### Key Features

##### High-Performance VPN

- Protocols
  - IPSec/PPTP/L2TP/WireGuard

##### WAN Redundancy/Load Balance

- Dual WAN Redundancy
- USB LTE Dongle WAN Redundancy/Load Balance

##### High Power PoE PSE

- Up to 8 Port 802.3at PoE output
- Up to 123W total PoE output

##### High Security Feature

- SPI Firewall
- DoS/DDoS/IPS
- URL Filter
- User Authentication

##### Smart AP Management

- Managed up to 10 DBR-X3000-AP access points

##### Central AP Management

- SSID
- Wi-Fi Security
  - WPA/WPA2/WPA3 personal & Enterprise
- VLAN Tag
- Captive Portal
  - Click Through and Radius
- AP Firmware Upgrade

##### Monitor AP Wireless Clients

- Block Clients
- Client Status and Statistics

The DBR-600-P delivers high-performance networking with a 2.5GE WAN port and eight 2.5GE PoE ports for fast and reliable connectivity. Ideal for small offices and cafes, it includes a USB port for D-Link's 4G/5G USB modem, offering flexible internet backup. With a 2Gbps firewall and IPsec VPN tunnels, it ensures secure remote access. Built-in AP management simplifies wireless access point control, making it an excellent choice for businesses seeking efficient and secure network solutions.

#### Virtual Private Network (VPN)

A Virtual Private Network (VPN) ensures secure and private connections by encrypting data and using strong authentication. It creates a secure tunnel between users and networks, protecting sensitive information from unauthorized access. VPNs enable remote access, allowing employees to connect safely to their company network from any location, and offer robust security features like data integrity and traffic encryption, ensuring reliable and safe connectivity.

#### Complete 2.5G Interface

A 2.5G interface on a VPN router delivers ultra-fast speeds of up to 2.5 gigabits per second, boosting VPN performance with quicker data transfers and lower latency. It supports multiple simultaneous connections, ensuring smooth, secure, and efficient remote access even during high-demand use. The added bandwidth is perfect for businesses needing reliable communication, large file transfers, and seamless video conferencing, all while maintaining strong encryption and security.

#### Reliable Dual WAN Redundancy

Dual WAN Intelligent Failover ensures uninterrupted internet connectivity by automatically switching to a backup WAN connection if the primary one fails. This feature enhances network reliability and maintains consistent service, minimizing downtime for critical operations. It also balances traffic across both WAN connections, optimizing bandwidth and improving performance. With this system, organizations can rely on a robust backup to handle disruptions.

## WAN Load Balancing

WAN Load Balancing distributes traffic across multiple WAN connections to enhance performance and reliability. It optimizes speed and ensures smooth data transmission for high-bandwidth applications by preventing overload on any single connection. Additionally, it provides backup connections for redundancy, maintaining continuity during failures and enabling uninterrupted business operations.

## High Power 8-Port PoE Solution

DBR-600-P equipped with eight PoE ports, allows network cables to deliver data and power to devices like IP cameras and VoIP phones, eliminating the need for separate power sources. This simplifies installation, reduces cable clutter, and offers flexibility in device placement, enabling setups in areas without electrical outlets. PoE enhances network efficiency and supports applications ranging from surveillance to smart building technologies.

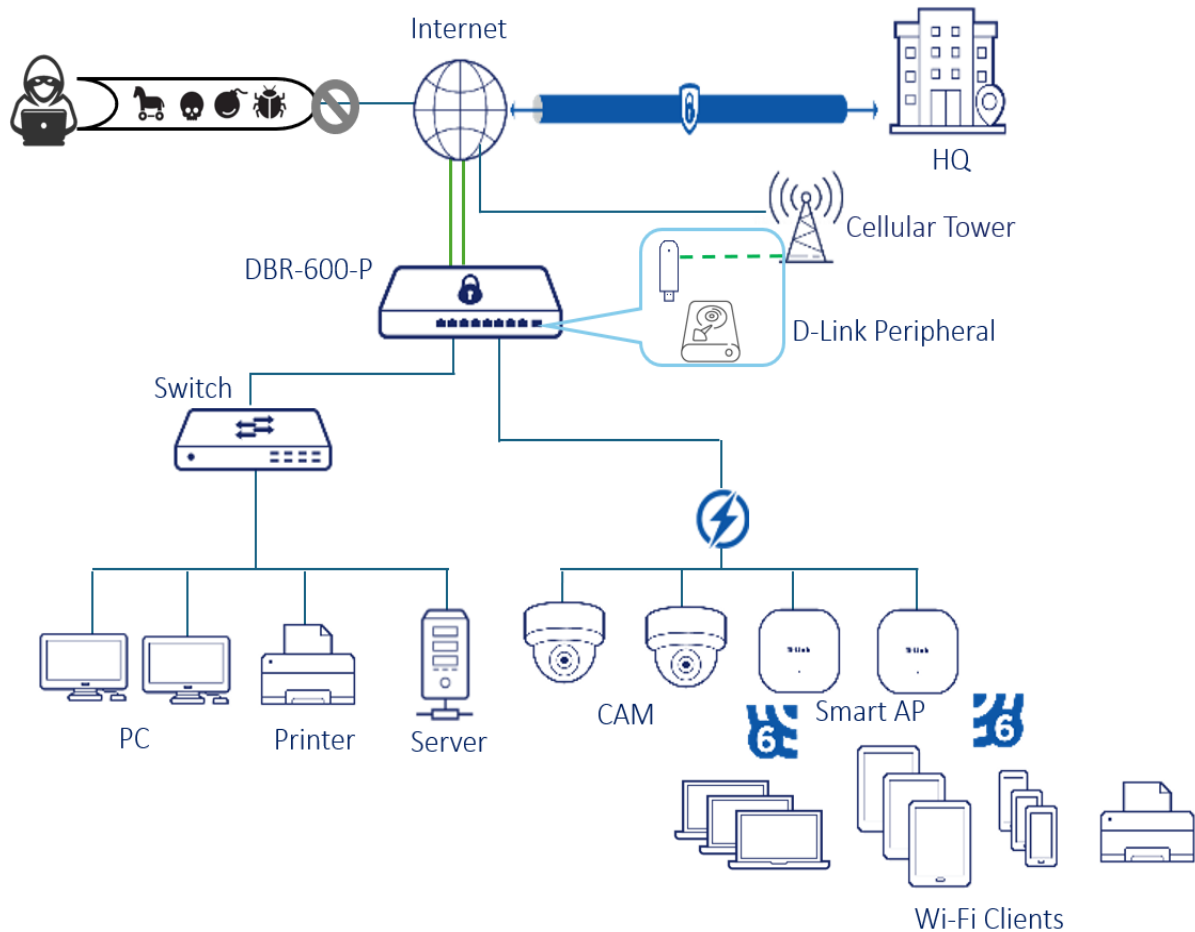
## Firewall Security

Robust firewall security protects your network from unauthorized access and cyber threats. It includes advanced features such as intrusion detection and prevention systems (IDS/IPS), content filtering, and stateful packet inspection (SPI). With real-time monitoring and automatic threat mitigation, it safeguards sensitive data and maintains a secure network environment for all connected devices.

## AP Management

The smart AP (DBR-3000-AP) is managed through a business router (DBR-600-P) and operated via a unified dashboard, providing a centralized approach to network management. This setup simplifies network settings' configuration, monitoring, and control, making administrative tasks more efficient. It ensures consistent policy enforcement while offering real-time insights into network activity, ultimately enhancing overall efficiency and security.

## Connection Diagram



## Technical Specifications

General		
Device Interfaces	1 x 10/100/1000/2.5G WAN port 1 x 10/100/1000/2.5G WAN/LAN Configurable ports 7 x 10/100/1000/2.5G LAN port 1 x USB 3.0	1 x Reset Button 1 x Power Connector 1 x Console Port (Debugging only)1
PoE	8 Port 802.3at output	Power Budget up to 123W
WAN		
Ether-WAN Type	Dynamic IP PPPoE L2TP	Static IP PPTP
WAN Failover	Dual Ether-WAN Failover	USB LTE Dongle - Ether-WAN Failover
WAN Load Balance	Dual Ether-WAN Load Balance	USB LTE Dongle - Ether-WAN Load Balance
Network		
LAN & VLAN	DHCP Server/Relay	Port/Tag based VLAN
Port Forward	DMZ VPN Pass-through	Virtual Server DDNS
Routing	Static RIPv1/v2	Dynamic
VPN		
VPN Tunnel	PPTP IPSec	L2TP WireGuard
Security		
Firewall	IPS/IDS MAC/IP Filtering	SPI Firewall URL Blocking
AP Management		
Managed AP	Manage Up to 10 DBR-X3000-AP	
Wi-Fi SSID	SSID Name	VLAN Tag
Wi-Fi Security	WPA/WPA2/WPA3 Personal	WPA/WPA2/WPA3 Enterprise
Captive Portal	Click Through	RADIUS
Monitoring Feature	Clients IP/MAC	Clients Status and Statistics
Device Firmware	Firmware Upgrade	

## Physical & Environment

Power Input	54V/2.7A
Dimensions	120 x 190 x 38 mm
Operating Temperature	0 to 40 °C (32 to 104 °F)
Storage Temperature	-10 to 70 °C (14 to 158 °F)
Operating Humidity	10% to 90% non-condensing
Storage Humidity	0% to 95% non-condensing

1. Console port is not operational and it is only used for special debugging purposes